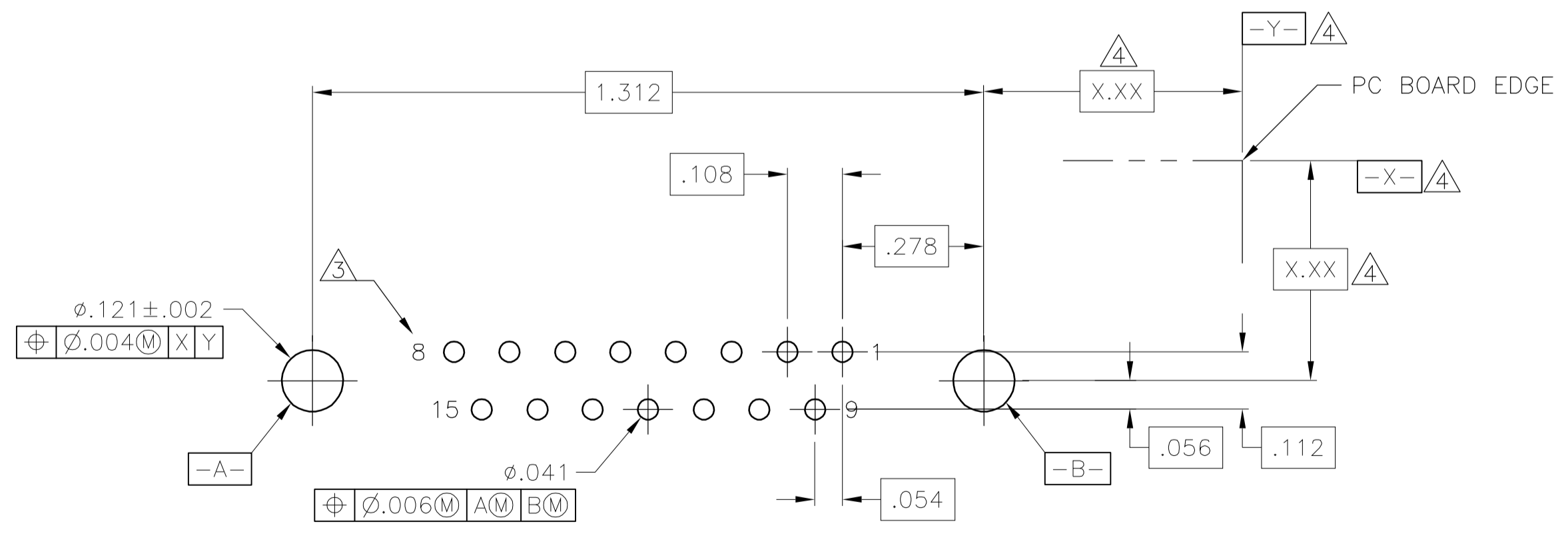
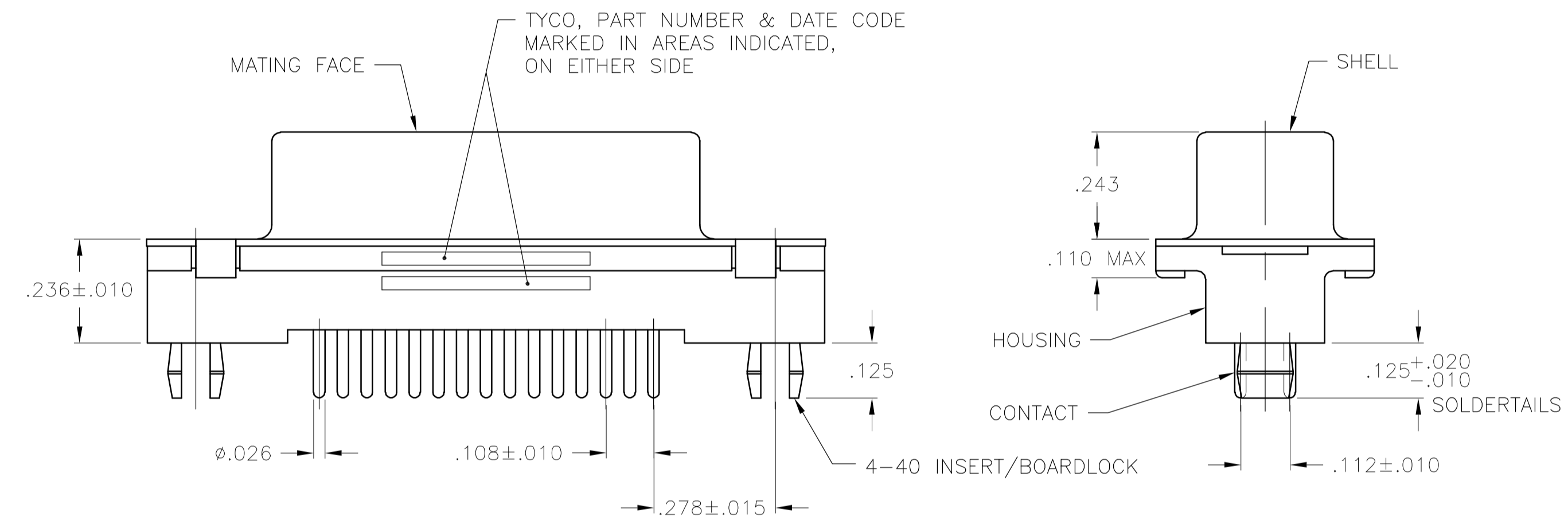


- ⚠ HOUSING: FLAME RETARDANT THERMOPLASTIC, 94V-0 RATED, COLOR BLACK.  
SHELL: CARBON STEEL.  
CONTACTS: PHOSPHOR BRONZE.  
INSERT/BOARDLOCKS: BRASS.
- ⚠ SHELL: 0.00508[.000200] MIN TIN OVER 0.00254[.000100] MIN COPPER.  
CONTACTS: 0.00076[.000030] MIN GOLD ON MATING END, 0.00254[.000100] MIN TIN ON SOLDER END, ALL OVER 0.00076[.000030] MIN NICKEL ON ENTIRE CONTACT.  
INSERT/BOARDLOCKS: 0.00381[.000150] MIN TIN OVER 0.00254[.000100] MIN COPPER.
- ⚠ POSITION NUMBERS SHOWN FOR REFERENCE ONLY.
- ⚠ DATUMS AND BASIC DIMENSIONS TO BE ESTABLISHED BY CUSTOMER.



RECOMMENDED PC BOARD LAYOUT  
 .062 PC BOARD  
 (VIEWED FROM CONNECTOR SIDE)

2-5747707-0  
 PART NUMBER

THIS DRAWING IS A CONTROLLED DOCUMENT.		DIN J.GERACE 18FEB05		Tyco Electronics Corporation Harrisburg, PA 17105-3608	
DIMENSIONS: mm		CHK S.BOLASH 18FEB05		APVD M.WALMSLEY 18FEB05	NAME
TOLERANCES UNLESS OTHERWISE SPECIFIED:		PRODUCT SPEC		RECEPTACLE ASSEMBLY, SIZE 2, 15 POS, VERTICAL, FRONT METAL SHELL, AMPLIMITE HD-20	
0 PLC ± -		APPLICATION SPEC		SIZE	
1 PLC ± -		108-40025		CAGE CODE	
2 PLC ± -		114-40023		DRAWING NO	
3 PLC ± 0.13(.005)		A1 00779		RESTRICTED TO	
4 PLC ± -		C=5747707		WEIGHT	
ANGLES ± -		CUSTOMER DRAWING		SCALE	
FINISH		SCALE 4:1		SHEET 1 OF 1	
		REV A1			